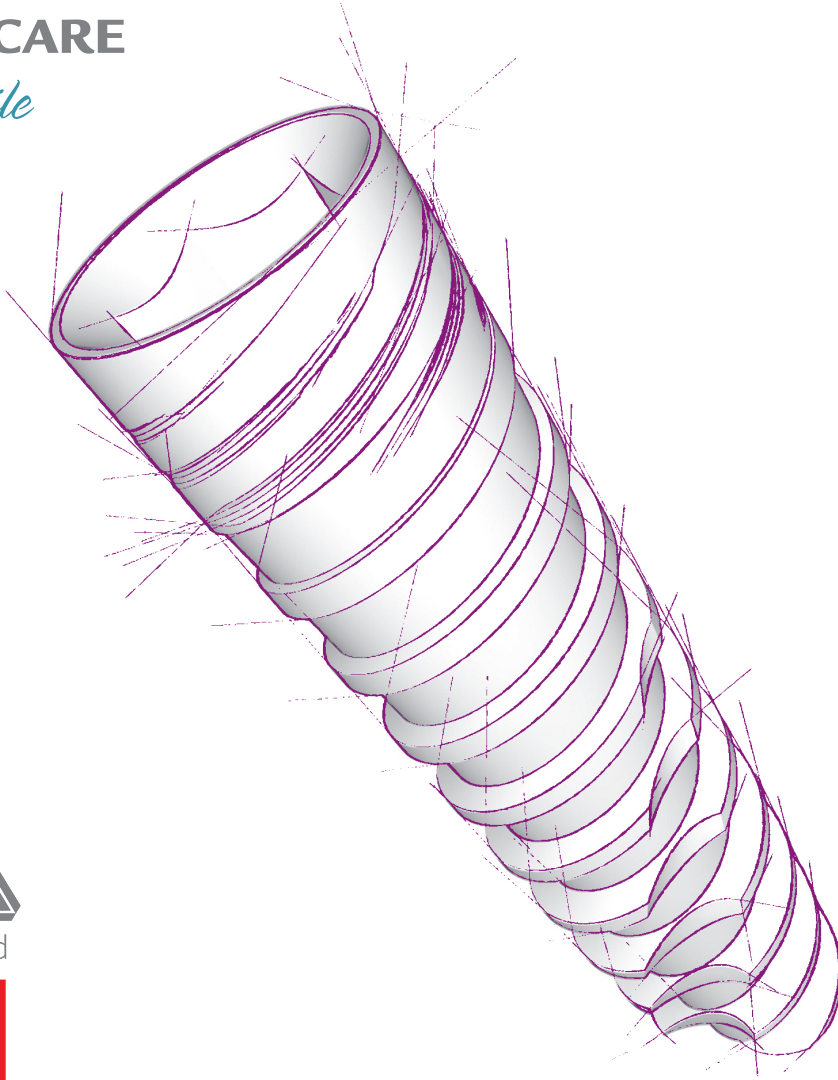




**JDENTALCARE**

*just smile*



Approved



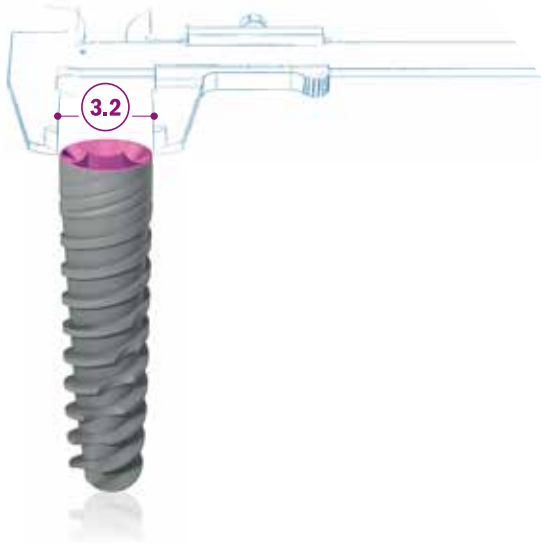
MADE IN ITALY

Dental Implant

**JD EVOLUTION S**

# JD EVOLUTION S

## SAFE AS ALWAYS, THINNER THAN EVER

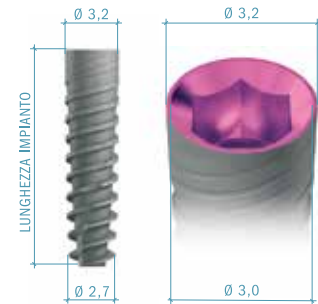


### ADVANTAGES

- High primary stability, even in type 4 bone.
- Self drilling and self cutting.
- Redirecting capability for optimal placement.
- Immediate function capability.
- Built-in Platform switching.
- Solves tight spacing problems.
- Designed specifically for narrow spaces in the esthetic zone.

### IMPLANT MEASURES AND LENGTHS

The JDEvolution S dental implant is available in the lengths shown in the following chart:



### DRILLING SEQUENCE

It is recommended to adhere to the indications of the following drilling sequence to ensure optimal primary stability of the implant.

IMPLANT DIAMETER	SOFT BONE TYPE IV	MEDIUM BONE TYPE II-III	DENSE BONE TYPE I
Ø 3.2	1,5 (2)	2 2,4	2 2,4 (2,8)

Note: All dimensions are expressed in millimeters.

# PRODUCT CATALOGUE

## Implants:

### Ø 3,2

EV32 080	JDEvolution S Ø 3.2 L 8
EV32100	JDEvolution S Ø 3.2 L 10
EV32115	JDEvolution S Ø 3.2 L 11,5
EV32130	JDEvolution S Ø 3.2 L 13
EV32150	JDEvolution S Ø 3.2 L 15



## Cover screw:

ESCS	Cover screw JDEvolution S
------	---------------------------



## Healing Abutment:

ESHA323	Healing Abutment Ø 3.2 H 3.0 JDEvolution S
ESHA325	Healing Abutment Ø 3.2 H 5.0 JDEvolution S
ESHA327	Healing Abutment Ø 3.2 H 7.0 JDEvolution S
ESHA403	Healing Abutment Ø 4.0 H 3.0 JDEvolution S
ESHA405	Healing Abutment Ø 4.0 H 5.0 JDEvolution S
ESHA407	Healing Abutment Ø 4.0 H 7.0 JDEvolution S



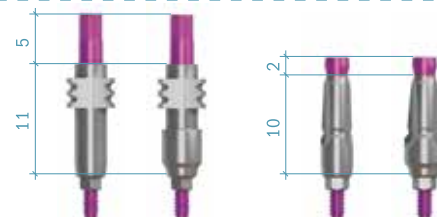
## Impression coping:

### OPEN TRAY

ESICOT32C	Impression coping open tray Ø 3.2 JDEvolution S
ESICOT40C	Impression coping open tray Ø 4.0 JDEvolution S

### CLOSED TRAY

ESICCT32C	Impression coping closed tray Ø 3.2 JDEvolution S
ESICCT40C	Impression coping closed tray Ø 4.0 JDEvolution S



## Temporary Abutment:

ESTAEC	Temporary Abutment engaging JDEvolution S
ESTANEC	Temporary Abutment non engaging JDEvolution S



## Immediate Temporary Abutment:

ESIT15C	Immediate Temporary Abutment h1.5 JDEvolution S
EVITC	Healing cap



## GP Abutment:

ESGPAE32C	GP Abutment Ø 3.2 JDEvolution S
ESGPAE40C	GP Abutment Ø 4.0 JDEvolution S
ES15GPAE40C	GP Abutment 15° Ø 4.0 JDEvolution S

Torque recommended 30 Ncm



## Anatomic Abutment:

ESAA15C	Anatomic Abutment Ø 4.0 H 1.5 JDEvolution S
ESAA30C	Anatomic Abutment Ø 4.0 H 3.0 JDEvolution S

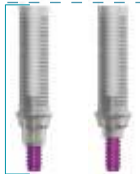
Torque recommended 30 Ncm



## Wax up Abutment:

ESWAEC	Wax-up Abutment engaging JDEvolution S
ESWANEC	Wax-up Abutment non engaging JDEvolution S

Torque recommended 30 Ncm



## Cobalt-Chrome Abutment:

ESCCCEC	Cobalt-Chrome Abutment engaging JDEvolution S
ESCCNEC	Cobalt-Chrome Abutment non engaging JDEvolution S

Torque recommended 30 Ncm



## Prosthetic screw:

ESS	Abutment Screw JDEvolution S
ESSA	Abutment Screw Angulated JDEvolution S



## Conical Abutment:

ESCA15C	Straight Conical Abutment H 1.5 JDEvolution S
ESCA30C	Straight Conical Abutment H 3.0 JDEvolution S
ESCA1725C	17° Angulated Conical Abutment H2.5 JDEvolution S
ESCA1735C	17° Angulated Conical Abutment H3.5 JDEvolution S
ESCA3025C	30° Angulated Conical Abutment H2.5 JDEvolution S
ESCA3035C	30° Angulated Conical Abutment H3.5 JDEvolution S
ESCASA	Screw for angulated Conical Abutment JDEvolution S



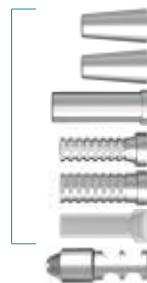
Torque recommended 30 Ncm

EVCAPS	Prosthetic screw Conical Abutment	Torque recommended 15 Ncm
EVCASA	Screw for angulated Conical Abutment JDEvolution	Torque recommended 30 Ncm
EVCAPSA	Prosthetic screw angulated for Conical Abutment	Torque recommended 15 Ncm
EVCAICOTEC	Impression coping open tray Conical Abutment engaging JDEvolution	
EVCAICOTC	Impression coping open tray Conical Abutment JDEvolution	
EVCAICOTLC	Impression coping open tray H12 Conical Abutment JDEvolution	
EVCAICCTC	Impression coping closed tray Conical Abutment	
EVCAHCL	Healing cap Conical Abutment H 6.0	
EVCAHC	Healing cap Conical Abutment H 3.5	
EVCAHCB	Healing cap peek Conical Abutment H 3.5	



EVCAGPAEC	GP for Conical Abutment engaging
EVCAGPANEC	GP for Conical Abutment non engaging
EVCATANEWSC	Temporary abutment smooth for welding conical abutment JDEvolution
EVCATANEC	Temporary cylinder non engaging Conical Abutment
EVCATANEWEC	Temporary cylinder non engaging Conical Abutment for welding
EVCWANEC	Wax up cylinder Conical Abutment non engaging
EVCAAR	Abutment replica Conical Abutment

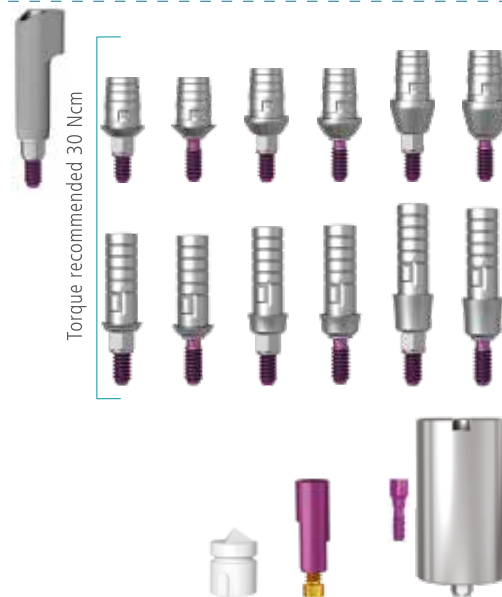
Torque recommended 15 Ncm



## TiBase, JDScanBody and Implant Replica CAD CAM:

ESSBCEC	JDScanBody for JDEvolution S
ESTIBC	TiBase engaging Ø4.25 H 0.5 C 4.7 JDEvolution S
ESTIBNEC	TiBase non engaging Ø4.25 H 0.5 C 4.7 JDEvolution S
ESTIB15C	TiBase engaging Ø4.25 H 1.5 C 4.7 JDEvolution S
ESTIB15NEC	TiBase non engaging Ø4.25 H 1.5 C 4.7 JDEvolution S
ESTIB30C	TiBase engaging Ø4.25 H 3.0 C 4.7 JDEvolution S
ESTIB30NEC	TiBase non engaging Ø4.25 H 3.0 C 4.7 JDEvolution S
ESTIBNC	TiBase engaging long Ø 3.5 H 0.5 C 7.7 JDEvolution S
ESTIBNENC	TiBase non engaging long Ø 3.5 H 0.5 C 7.7 JDEvolution S
ESTIB15NC	TiBase engaging long Ø 3.5 H 1.5 C 7.7 JDEvolution S
ESTIB15NENC	TiBase non engaging long Ø 3.5 H 1.5 C 7.7 JDEvolution S
ESTIB30NC	TiBase engaging long Ø 3.5 H 3.0 C 7.7 JDEvolution S
ESTIB30NENC	TiBase non engaging long Ø 3.5 H 3.0 C 7.7 JDEvolution S
EVSCBOW	ScanBody for TiBase
ESANCN	DAS* Implant replica CAD CAM for JDEvolution S
ESPMNC	JD Pre-milled blanks and abutment screw JDEvolution S

\*Direct Analog Screw



## Implant replica:

ESAN	Implant replica JDEvolution S
------	-------------------------------



## Gold Abutment:

ESGAEC	Gold Abutment engaging JDEvolution S
--------	--------------------------------------

Torque recommended 30 Ncm



## Ball Abutment:

ESBA15	Ball Abutment H 1.5 JDEvolution S
ESBA30	Ball Abutment H 3.0 JDEvolution S
ESBA50	Ball Abutment H 5.0 JDEvolution S
EVBA	Ball Abutment replica JDEvolution S
EVBAHC	Cap attachment housing and elastic retentive cap Ball Abutment
EVBAN	Elastic retentive cap Ball Abutment



Torque recommended 30 Ncm

## Emi Abutment:

ESEMI15	Emi Abutment H 1.5 JDEvolution S
ESEMI30	Emi Abutment H 3.0 JDEvolution S
ESEMI50	Emi Abutment H 5.0 JDEvolution S
EVEMIA	Emi Abutment replica JDEvolution S
EVEMISCK	Smart cap attachment housing Emi Abutment
EVEMIHC	Cap attachment housing and elastic retentive cap Emi Abutment
EVEMIN	Elastic retentive cap Emi Abutment - Retention 1,2 Kg
EVEMIH	Cap attachment housing Emi Abutment
EVEMIIC	Impression coping Plastic for Emi Abutment
EVEMIICS	Impression coping Steel for Emi Abutment
EVEMINT	Elastic retentive cap white Emi Abutment - Retention 1,8 Kg
EVEMINY	Elastic retentive cap yellow Emi Abutment - Retention 0,6 Kg
EVEMINP	Elastic retentive cap purple Emi Abutment - Retention 2,5 Kg
EVEMINB	Elastic retentive cap for laboratory Emi Abutment
EVEMIA	EmiAbutment analog
EVEMIET	Insertion and Extractor Tool for Caps Emi Abutment

Torque recommended 30 Ncm



## Bone Mill:

JDBMNNC	Bone Mill Ø 5.0 and Bone Mill guide
JDBM6NC	Bone Mill Ø 6.0 and Bone Mill guide
JDBM3	Bone Mill guide JDEvolution



## Implant and Prosthetic Drivers

ESID	Implant Driver JDEvolution S
ESIDL	Implant Driver Long JDEvolution S
EVSDPF15	Screwdriver hex 1.20 prosthetic for torque wrench L15 JDEvolution
EVSDPF20	Screwdriver hex 1.20 prosthetic for torque wrench L20 JDEvolution
EVSDPF25	Screwdriver hex 1.20 prosthetic for torque wrench L25 JDEvolution
EVSDPF35	Screwdriver hex 1.20 prosthetic for torque wrench L35 JDEvolution
EVSDCAF	Screwdriver torque wrench Conical Abutment
EVSDP20	Screwdriver hex 1.20 machine prosthetic L20 JDEvolution
EVSDP25	Screwdriver hex 1.20 machine prosthetic L25 JDEvolution
EVSDP30	Screwdriver hex 1.20 machine prosthetic L30 JDEvolution
EVSDCA	Screwdriver machine Conical Abutment
EVSDPF25A	Screwdriver screw angulated for torque wrench L25
EVSDPF30A	Screwdriver screw angulated for torque wrench L30
ESAMT	Conical Abutment Aligning Instrument for JD Evolution S

